

Flex Collection

(FLEX 6035 / FLEX 6036 / FLEX 6076 / FLEX 6040 GPL / FLEX RT 2314)



FLEX 6035



FLEX 6035

Description

The Flex 6035 is a large and compact folding seat that stands out due to the excellent balance it achieves between comfort and good use of space. This seat has been specially designed for use in multipurpose spaces, auditoriums, parliaments, conference and congress centres, theatres and performing arts centres.

The seat and armrests return to their original positions automatically. The folding system consists of the seat rotating and armrests displacing in a single movement.

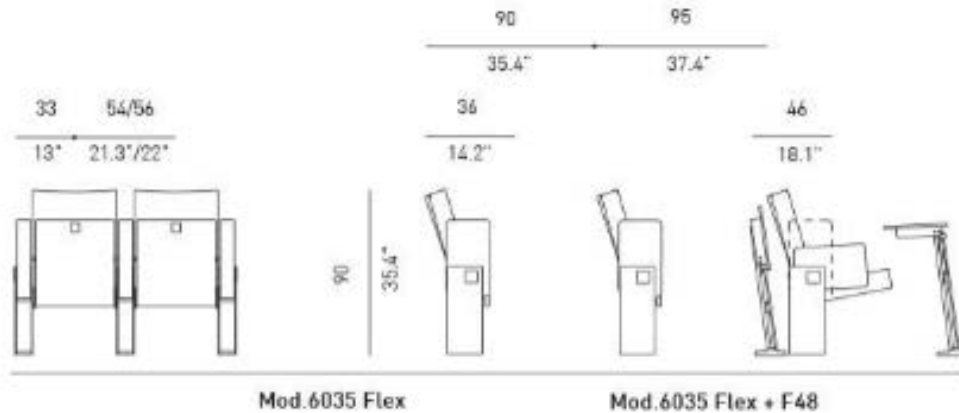
At the same time as the seat folds, the armrests adopt a vertical position, so that the folded seat does not surpass a depth of 360mm.

Seat and back consist of a compact block made of cold-moulded polyurethane foam. This block completely covers a metal structure, consisting of flat springs, and the corresponding axes for the rotation movement.

The seat and backrest padding have been carefully designed according to ergonomic criteria and are upholstered with an easily interchangeable cover with a zip.

The seat tips up automatically by means of a double spring system inserted in the seat which does not require lubrication of any kind. The Controlled Soft Rise System provides cushioning when the seat folds up, silently and without any bump.

The seat, backrest and arms are supported by two side pieces linked together by a central steel bridge support. This bridge houses the ball and socket joint – with a blocking system – where the axes of the seat rest.



Technical Data

- Distance between axes: 54cm
- Maximum space optimization, it does not exceed a depth of 36cm
- Ergonomic and shape-retaining seat.
- Ideal seat for Figueras Mutarail and Mutasub.
- Optionally, the backrest can have Plywood shell.
- Together with the F-48 and F-1000 tables, it becomes an optimal solution for long working sessions.
- Fire standards: complies with international regulations.



FLEX 6036



FLEX 6036

Description

An armchair with a folding seat, side panels to fix them to the ground or a platform. They are commonly used to form rows sharing the side panel between two chairs, except at the ends.

Great durability is assured as the seat consists of a single block of cold moulded polyurethane foam covering a metal structure, consisting of a curved tube frame, a web of flat springs and pivot joints for rotation.

The backrest is also composed of polyurethane foam with an internal metallic structure. Seat and backrest are covered with an easily interchangeable upholstery cover with a zip system.

The seat goes back to the upright position automatically by means of a double spring system inserted inside the seat without the need for any lubrication and with an integrated Soft System, which avoids annoying noises or knocks when returning the seat to its rest position.

The side panels, going down to the floor serve as armrests and are fully upholstered or can have a wooden finishing. They have a steel base, where the armchair is fixed to the ground, with the appropriate anchoring depending on the surface.

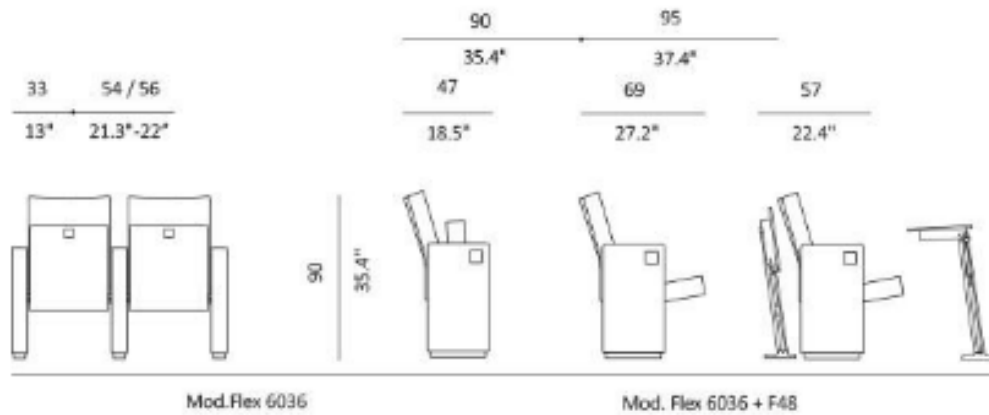
Optional Finishes:

Backrest and/or seat front panel of plywood

Side Panels: wood or upholstered panels

Accessories: PLX or APL tablets

Fire resistance: This product complies with international regulations.



Technical Data

- Distance between axles: 54-56 cm.
- Ergonomic, form-retaining seat.
- Optionally, it can be finished in wood.
- Together with the PLX, APL, F-48 or F-1000 tables, it becomes an optimal solution for long working sessions.
- Reaction to fire: This product complies with international standards.



Description

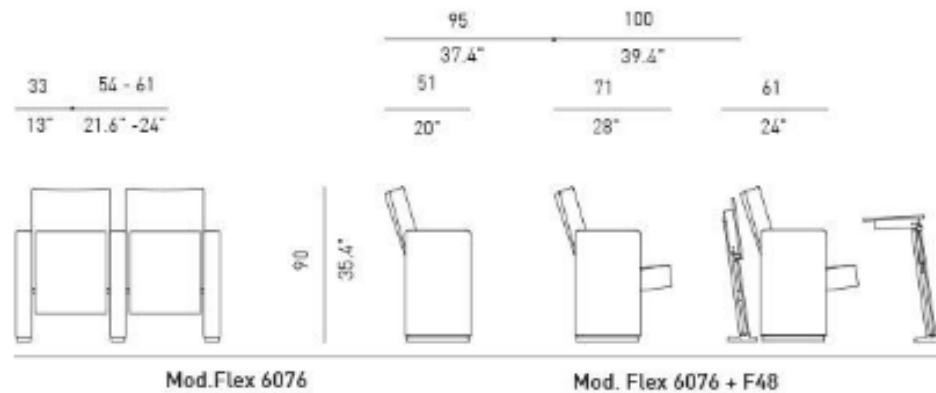
The Flex 6076 is a fully upholstered seat with an elegant design that emphasizes simple geometric forms. This seat is the perfect solution for auditoriums, conference centres, theatres, corporate rooms and higher education centres.

This folding seat is fixed to the ground by means of the side panels, commonly used to form rows sharing panels between two seats. These side panels serve as armrests and are fully upholstered. They have a steel base, where the seat is fixed to the ground.

When unoccupied, the seat is perfectly aligned with the front and the top of the side panel, this accentuates the look of linearity and continuity of the space.

Great durability is assured as the seat consists of a single block of cold moulded polyurethane foam covering a metal structure, consisting of a curved tube frame, a web of flat springs and pivot joints for rotation. The backrest is also composed of polyurethane foam with an internal metallic structure. Seat and backrest are covered with an easily interchangeable upholstery cover with a zip system.

The seat goes back to the upright position automatically through a double ball joint with springs and the CSRT (Controlled Soft Rise Technology) System which prevents noise or annoying bangs when the seat goes back to its resting position.



Technical Data

- Distance between axes: 54-61cm.
- Maximum space optimization, it does not exceed a depth of 36cm.
- Ergonomic and shape-retaining seat.
- Optionally, side panels can be made in wood.
- Optionally, the backrest can have wooden panel.
- Together with the A3PL, A4PL, F-48 or F-1000 tables, it becomes an optimal solution for long working sessions.
- Fire standards: complies with international regulations.



FLEX 6040 GPL



FLEX 6040 GPL

Description

The Flex 6040 GPL stands out for its exceptional balance between performance, comfort, aesthetics and use of space. Thanks to its generous table, becomes the perfect solution for conference centres, auditoriums, corporate rooms and higher education centres.

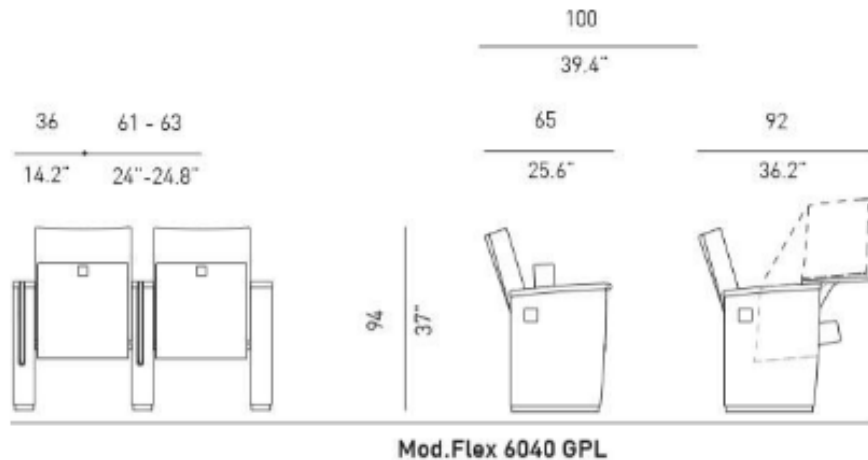
The panels of this elegant folding seat have an integrated workstation that consists in a very large and robust table. This GPL writing tablet, 42x36cm sized, is made of varnished wood which folds in and out by means of a rail mounted on an aluminium profile. The movement is smooth and completely silent.

Thanks to its anti-panic folding system, when the seat is vacated the tablet automatically folds away into the side of the seat. The hall can be vacated quickly and the aisles are always left clear.

The side panels are fully upholstered and include a wood armrest. They have a steel base, where the armchair is fixed to the ground by means of hidden metal expansion bolts or other suitable type of anchorage for each type of surface.

Great durability is assured as the seat consists of a single block of cold moulded polyurethane foam covering a metal structure, consisting of a curved tube frame, a web of flat springs and pivot joints for rotation.

The backrest is made of PU foam with an internal metallic structure. Seat and back are covered with easily interchangeable upholstery with a zip system. Optionally, a decorative wood can be added at the backrest. The seat goes back to the upright position automatically through a double ball joint with springs and the CSRT System which prevents noise or annoying bangs when the seat goes back to its resting position.



Technical Data

- Distance between axes: 61cm.
- Maximum space optimization, it does not exceed a depth of 36cm.
- Large lectern (42x36cm) stored on one side of the seat.
- Silent and gently movement of the lectern.
- Ergonomic and shape-retaining seat.
- Fire standards: complies with international regulations.



FLEX RT 2314

Description

The Flex RT 2314 is the optimum solution for parliaments, meeting rooms, assembly halls or plenary meeting halls. This seat, with a special rotation system, stands out due to its excellent balance between comfort level and use of space.

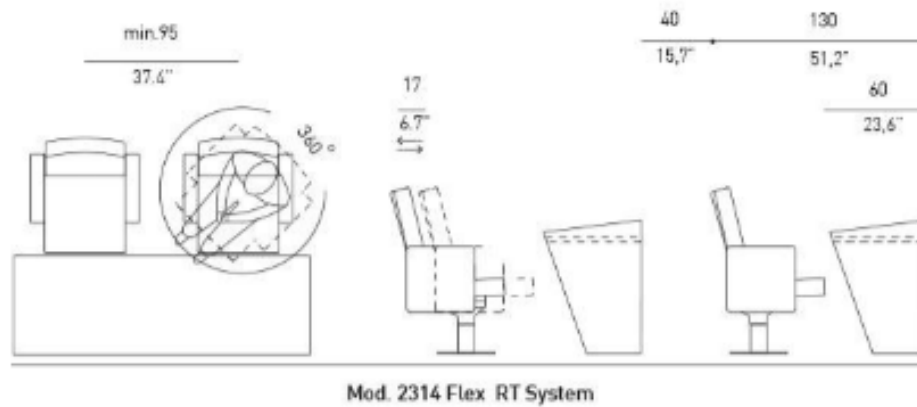
The innovative RT system consists of an aluminium base fixed to the floor, incorporating a 360° rotation system and a 170 mm linear displacement system. Both movements can be made simultaneously.

This system improves significantly the work position, allowing the user to turn towards and speak with people sitting on either side of and behind them.

The seat automatically returns to its initial position once it is vacated. This system allows great freedom of movement and easy user access.

The seat consists of a single compact block made of cold-moulded polyurethane foam. This block completely covers a metal structure. The block is upholstered in an easily interchangeable cover with a zip.

The backrest is also formed by a single piece with the same characteristics as the seat. The seat and backrest padding have been carefully designed according to ergonomic criteria.



Technical Data

- The RT is a unique system which allows the rotation and linear displacement of the seat to which it is applied.
- Optimal work position, allowing the user to turn towards and speak with the people sitting on either side of and behind them.
- Together with the F-48 or F-1000 tables, it becomes an optimal solution for long working sessions.
- Ergonomic and shape-retaining seat.
- Fire standards: complies with international regulations.