

Megaseat Collection

(Megaseat 9114 RC / Megaseat 9042 / Megaseat 9078 / Megaseat 8136 / Megaseat 9043 / Megaseat 9112 / Megaseat 9113 / Megaseat 2315 RT)



MEGASEAT 9114 RC

Description

The Megaseat 9114 RC is a highly comfortable individual seat of generous dimensions, designed for use in upscale VIP lounges, movie theatres or home cinema rooms.

The seat and backrest are composed of two blocks of moulded polyurethane foam with an internal metal structure. The upholstery is integrated into the foam using the *Integral Form Upholstery System*, without seams or stitching.

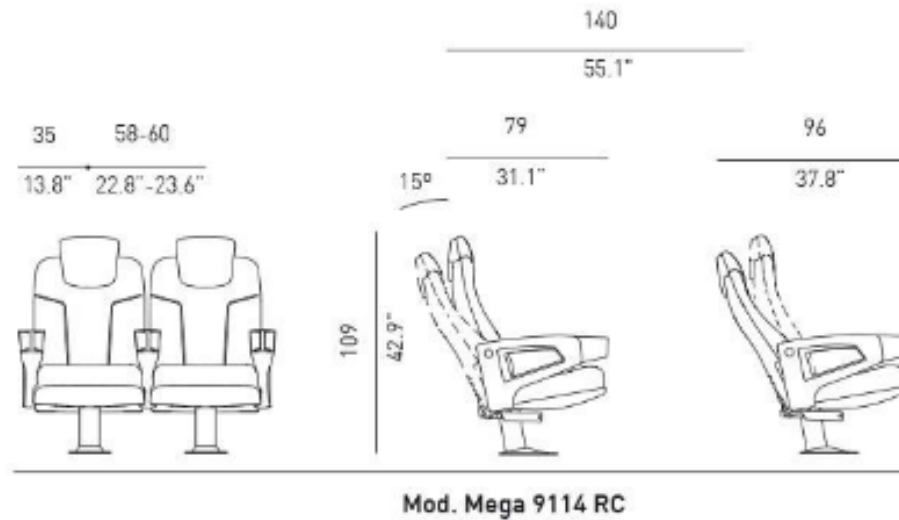
The backrest and seat padding are ergonomically shaped to guarantee comfort. The seat is always fixed and its padding is free of grooves of any type in order to prevent the accumulation of dirt.

The backrest reclines up to 15° smoothly, according to the user's wishes, by using a button incorporated in the armrest. When the seat is vacated it moves back to its original position.

The seat and backrest have rear polypropylene shells which are fully washable, preventing scratches and dirt appearing on the rear upholstery. Optionally, the shells can be upholstered or in *Technowood* finish.

The seat is mounted on a central pedestal and supported by a rigid bridge which ensures stable rows.

The armrests are made of semi-rigid polyurethane foam with an internal metal structure and a built-in cupholder.



Technical Data

- Minimum distance between axes: 58 cm.
- Ergonomic form: the backrest has lumbar and head support.
- Integral Form System: integrates upholstery and internal frame in a single compact block with no seams.
- The armrests incorporate a built-in cupholder.
- Optional HR finish which includes a headrest incorporated into the backrest.
- Optionally, between the upholstery and the foam, a fire-resistant curtain can be incorporated.
- Fire standards: complies with international regulations.



MEGASEAT 9042

Description

The Megaseat 9042 is a modular seat composed of fully interchangeable parts. With an excellence acoustic performance, this seat has been specially designed for use in Cinemas.

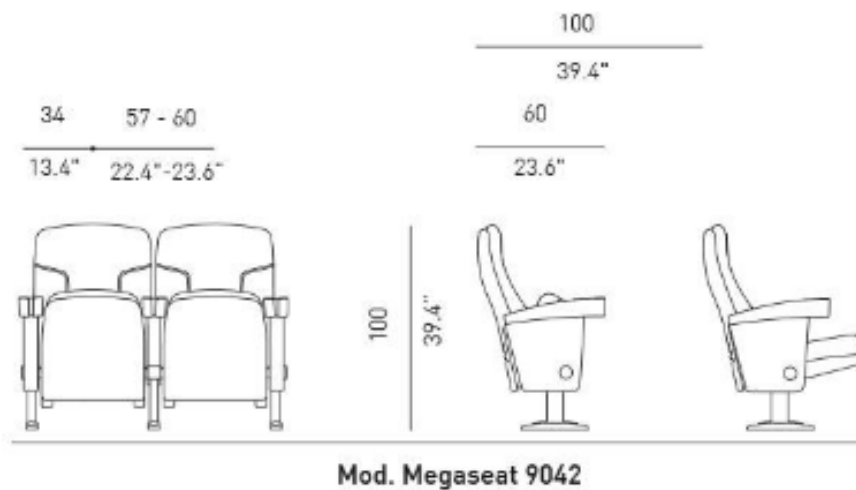
The seat is mounted on two metal painted feet and supported by a rigid bridge which ensures stable rows. The seat and backrest are composed of two blocks of moulded polyurethane foam with a metal interior structure incorporated and an upholstery that is completely integrated into the foam using the *Integral Form Upholstery System*, without seams or stitching.

The seat pad is free of grooves of any type in order to prevent the accumulation of dirt. The backrest padding is anatomically contoured to guarantee user comfort. Optionally, a headrest can be incorporated.

The seat, backrest and headrest have rear polypropylene shells which are fully washable, preventing scratches and dirt appearing on the rear upholstery. Optionally, the shells can be upholstered.

The seat folds up automatically by means of an extremely quiet double-spring system inside the seat base, keeping the room always neat and assuring a silent ambient when a user leaves the seat.

Double injection moulded arms combine polypropylene for the rigid parts and a soft elastomer on the surface of the armrest. At the front there is an integrated cupholder. Optionally, pads can be upholstered.



Technical Data

- Centre-to-centre dimension: 57 cm.
- Silent tip-up mechanism which requires no lubrication.
- Integral Form System: integrates upholstery and internal frame in a single compact block with no seams.
- The armrests incorporate a built-in cupholder with a "soft" finish.
- Optional HR finish which includes a headrest incorporated into the backrest
- Optionally, between the upholstery and the foam, a fire-resistant barrier can be incorporated.
- Fire standards: complies with international regulations.



MEGASEAT 9078

Description

The Megaseat 9078 is a highly comfortable seat of generous dimensions, designed for use in upscale VIP lounges, cinemas or VIP stadium areas.

The seat and backrest are composed of two blocks of moulded polyurethane foam with an internal metal structure. The upholstery is integrated into the foam using the Integral Form Upholstery System, without seams or stitching.

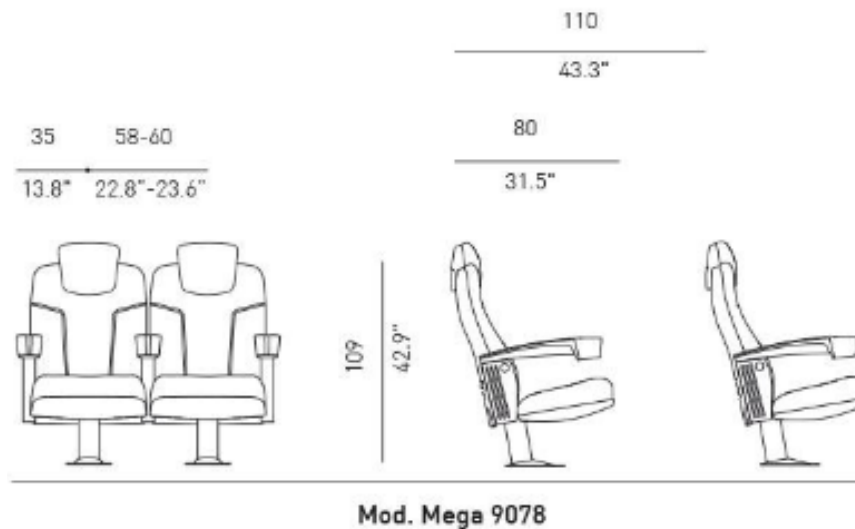
The backrest and seat padding are ergonomically shaped to guarantee comfort. The seat is always fixed and its padding is free of grooves of any type in order to prevent the accumulation of dirt.

The seat and backrest have rear polypropylene shells which are fully washable, preventing scratches and dirt appearing on the rear upholstery. Optionally, the shells can be upholstered or in Technowood finish.

The backrest can incorporate an integrated headrest which is composed of an upholstered polyurethane moulded foam and a protective shell.

The seat is mounted on a central pedestal and supported by a rigid bridge which ensures stable rows. The pedestals are made of tubular steel and fixed to the floor with a base that can be adapted to any particular slope.

The armrests are made of semi-rigid polyurethane foam with an internal metal structure and a built-in cupholder. The end of the row seats have a polyurethane side fixed to the metallic structure.



Technical Data

- Minimum distance between axes: 58 cm.
- Ergonomic form: the backrest has lumbar and head support
- Integral Form System: integrates upholstery and internal frame in a single compact block with no seams.
- The armrests incorporate a built-in cupholder.
- The seat adapts to the specific slope of the room at the base of the central pedestal.
- Optional HR finish which includes a headrest incorporated into the backrest
- Optionally, between the upholstery and the foam, a fire-resistant barrier can be incorporated.
- Reaction to fire: this product complies with international standards.



MEGASEAT 8136

Description

The Megaseat 8136 is a modular seat of generous dimensions composed of totally interchangeable elements. This seat has been specially designed for intensive use areas such as auditoriums, conference centres, corporate and education centres.

The seat and backrest are composed of two blocks of moulded polyurethane foam with an internal metal structure. The upholstery is fully integrated into the foam using the Integral Form Upholstery System, without seams or stitching.

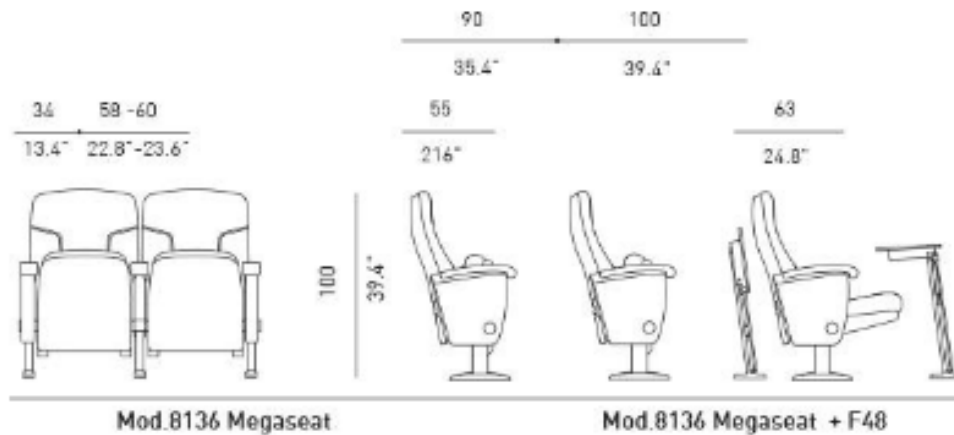
The backrest cushioning is anatomically contoured in the lower back and the head areas, incorporating some horizontal grooves in the body part. The seat cushioning is anatomically shaped and smooth, without any types of channels or grooves to avoid the accumulation of dirt.

The seat and backrest have rear polypropylene shells which are fully washable, preventing scratches and dirt appearing on the rear upholstery.

The backrest can incorporate an integrated headrest which is composed of an upholstered polyurethane moulded foam and a protective shell.

The seat is mounted on two metal feet attached to an internal connecting bridge that interconnects the different seats and allows the formation of totally rigid and stable rows.

The armrests are made of polyurethane foam with an internal metal structure. Optionally, a built-in cupholder can be incorporate in the armrest.



Technical Data

- Minimum distance between axes: 58 cm.
- Ergonomic form: the backrest has lumbar and head support
- Integral Form System: integrates upholstery and internal frame in a single compact block with no seams.
- The seat adapts to the specific slope of the room at the base of the central pedestal.
- Optional HR finish which includes a headrest incorporated into the backrest
- Optionally, between the upholstery and the foam, a fire-resistant barrier can be incorporated.
- Reaction to fire: this product complies with international standards.



MEGASEAT 9043

Description

The Megaseat 9043 is a modular seat composed of fully interchangeable parts. With an excellence acoustic performance, this seat has been specially designed for use in Cinemas.

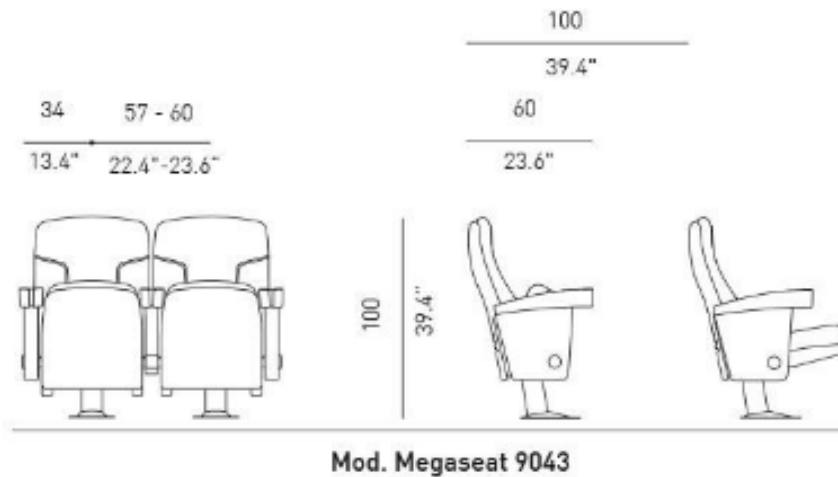
The seat is mounted on a central pedestal and supported by a rigid bridge which ensures stable rows. The seat and backrest are composed of two blocks of moulded polyurethane foam with a metal interior structure incorporated and an upholstery that is completely integrated into the foam using the Integral Form Upholstery System, without seams or stitching.

The seat pad is free of grooves of any type in order to prevent the accumulation of dirt. The backrest padding is anatomically contoured to guarantee user comfort. Optionally, a headrest can be incorporated.

The seat, backrest and headrest have rear polypropylene shells which are fully washable, preventing scratches and dirt appearing on the rear upholstery. Optionally, the shells can be upholstered.

The seat folds up automatically by means of an extremely quiet double-spring system inside the seat base, keeping the room always neat and assuring a silent ambient when a user leaves the seat.

Double injection moulded arms combine polypropylene for the rigid parts and a soft elastomer on the surface of the armrest. At the front there is an integrated cupholder. Optionally, pads can be upholstered.



Technical Data

- Centre-to-centre dimension: 57 cm.
- Silent tip-up mechanism which requires no lubrication.
- Integral Form System: integrates upholstery and internal frame in a single compact block with no seams.
- The armrests incorporate a built-in cupholder with a "soft" finish.
- Optional HR finish which includes a headrest incorporated into the backrest
- Optionally, between the upholstery and the foam, a fire-resistant barrier can be incorporated.
- Fire standards: complies with international regulations.



MEGASEAT 9112

Description

The Megaseat 9112 is a highly comfortable seat of generous dimensions, designed for use in upscale VIP lounges, cinemas or VIP stadium areas.

The seat and backrest are composed of two blocks of moulded polyurethane foam with an internal metal structure. The upholstery is integrated into the foam using the Integral Form Upholstery System, without seams or stitching.

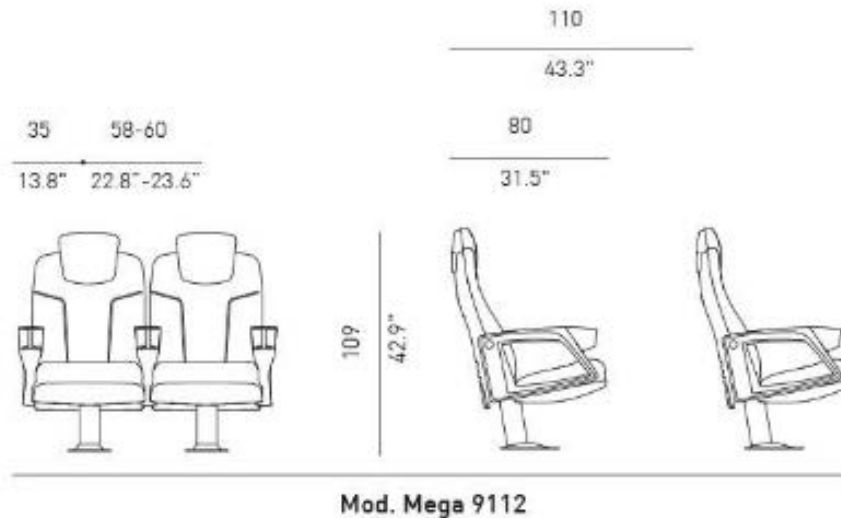
The backrest and seat padding are ergonomically shaped to guarantee comfort. The seat is always fixed and its padding is free of grooves of any type in order to prevent the accumulation of dirt.

The seat and backrest have rear polypropylene shells which are fully washable, preventing scratches and dirt appearing on the rear upholstery. Optionally, the shells can be upholstered or in Technowood finish.

The backrest can incorporate an integrated headrest, which is composed of an upholstered polyurethane moulded foam and a protective shell.

The seat is mounted on a central pedestal and supported by a rigid bridge which ensures stable rows.

The armrests are made of semi-rigid polyurethane foam with an internal metal structure and a built-in cupholder.



Technical Data

- Minimum distance between axes: 58 cm.
- Ergonomic form: the backrest has lumbar and head support
- Integral Form System: integrates upholstery and internal frame in a single compact block with no seams.
- The armrests incorporate a built-in cupholder.
- Optional HR finish which includes a headrest incorporated into the backrest
- Optionally, between the upholstery and the foam, a fire-resistant barrier can be incorporated.
- Reaction to fire: this product complies with international standards.



MEGASEAT 9113

Description

The Megaseat 9113 is a generous size modular seat comprising fully interchangeable parts specially designed for Cinemas.

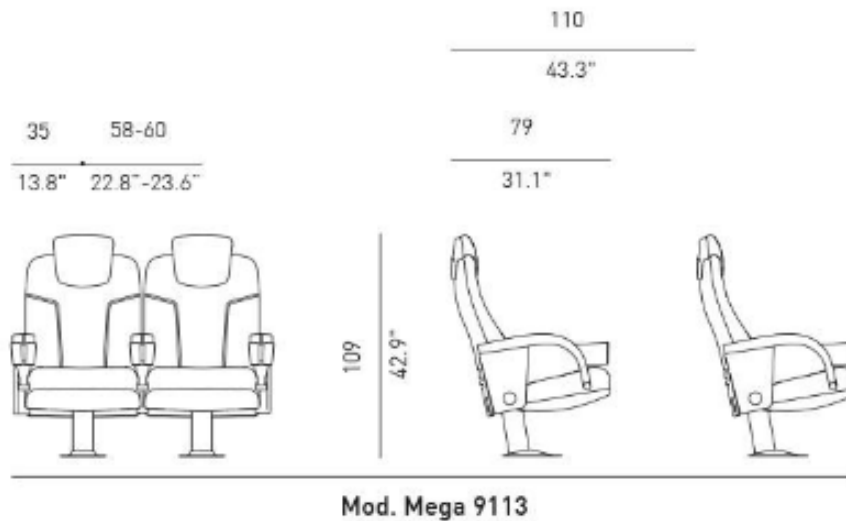
The seat and backrest are composed of two blocks of moulded polyurethane foam with an internal metal structure. The upholstery can be integrated into the foam using the *Integral Form Upholstery System*, without seams or stitching.

The seat pad is free of grooves of any type in order to prevent the accumulation of dirt. The backrest padding is anatomically contoured to guarantee user comfort. Optionally, a headrest can be incorporated.

The seat, backrest and headrest have rear polypropylene shells which are fully washable, preventing scratches and dirt appearing on the rear upholstery. Optionally, the shells can be upholstered.

The seat is mounted on a central pedestal and supported by a rigid bridge which ensures stable rows.

The armrests are made of semi-rigid polyurethane foam with an internal metal structure. Optionally, the armrests can be upholstered. It is possible to have a cupholder located on the front of the armrest.



Technical Data

- Centre-to-centre dimension: 58 cm.
- Ergonomic form: the backrest has lumbar and head support
- Integral Form System: integrates upholstery and internal frame in a single compact block with no seams.
- Optional HR finish which includes a headrest incorporated into the backrest
- Optionally, between the upholstery and the foam, a fire-resistant barrier can be incorporated.
- Fire standards: complies with international regulations.



MEGASEAT 2315 RT

Description

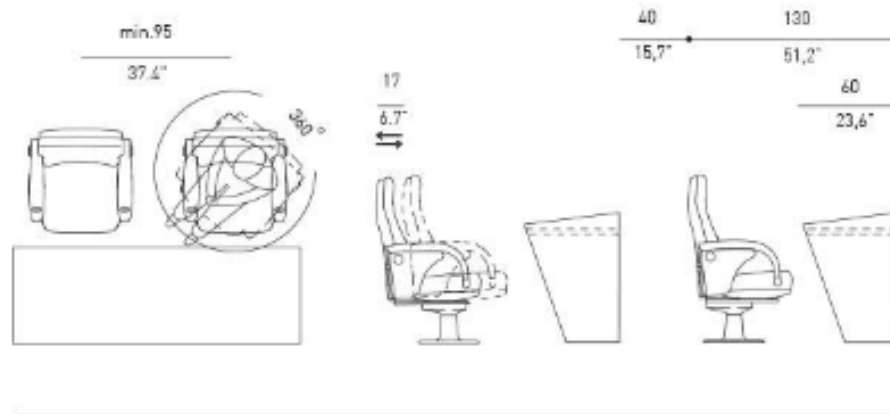
The Mega RT is a revolutionary concept in seating specially designed for its use in parliaments, corporate, conference and congress centres. It combines the safety of a floor-mounted seat with a total freedom of movement that allows you to swivel 360° and slide horizontally by 17cm.

The RT system is the Figueras rotation and movement solution that fits perfectly with spaces that require mobility in order to interact with others. It automatically returns to its original position, leaving the place clean and tidy without any extra effort.

The innovative RT system consists of an aluminium base fixed to the floor, incorporating a 360° rotation system and a linear displacement system. Both movements can be made simultaneously.

The seat and backrest are made of two moulded polyurethane foam with an internal metal structure. The upholstery is integrated into the foam using the Integral Form Upholstery System, without seams or stitching. The seat, backrest and headrest have rear polypropylene shells which are fully washable, preventing scratches and dirt appearing on the rear upholstery. Optionally, the shells can be upholstered.

The armrests are made of semi-rigid polyurethane foam with an internal metal structure. Optionally, the armrests can be upholstered.



Mod. 2315 Mega RT System

Technical Data

- Centre-to-centre dimension: 95 cm.
- Optionally, the backrest can incorporate headrest.
- Optionally, shells can be upholstered or in Technowood finishing.
- Optionally, between the upholstery and the foam, a fire-resistant barrier can be incorporated.
- Fire standards: complies with international regulations.