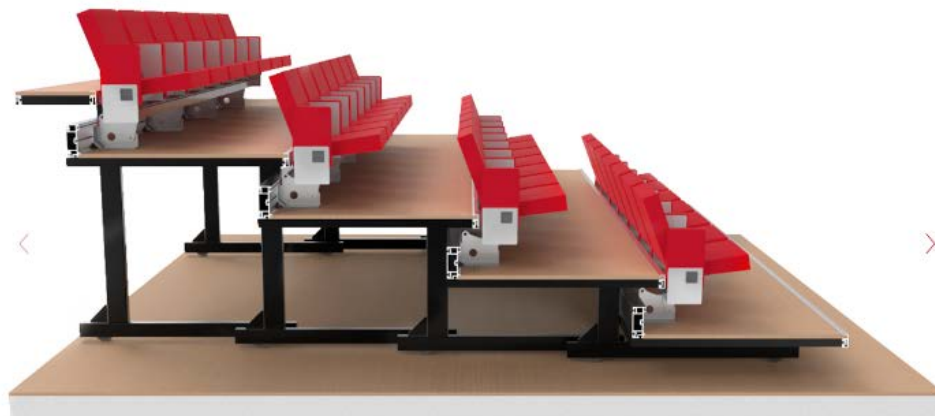




Vent Nouveau MT
SEATS & MOBILE WALLS
Since 1970

Wherever People Travel, Whenever People Meet

Retractable Seating System



Vent Nouveau s.a.l.

Phone: +961 4 712037 | Mobile: +961 3 291820 | Fax: +961 4 715196
Email: info@ventnouveau.com

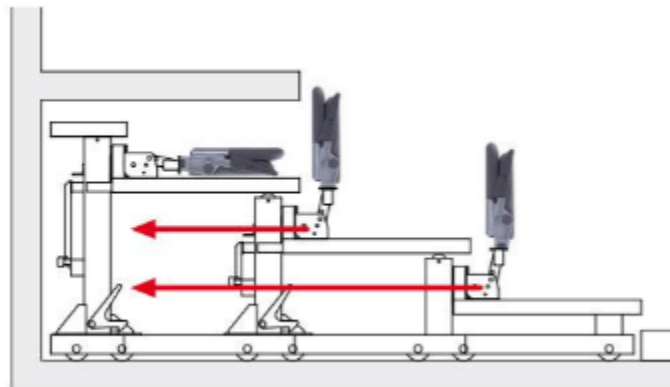
Description

The Retractable Seating System is a quality highly stable retractable tiered seating system with folding and unfolding mechanism that has been designed to international standards. This system is an optimal solution for use in demanding public seating environments such as theatres, schools, universities, arenas and multipurpose spaces.

The opening and closing movements of the tier platforms is automatic by a remote push-button controller. Once the Retractable Seating System is opened, the seat rows will be folding / unfolding row by row. This raised process can be automatic, semiautomatic or manual.

With a wide choice of seat options, ultimate flexibility and low maintenance, this system provides a lifetime of safety, reliability and return on investment.

Our retractable seating system may be equipped with all types of seats; the most frequent ones are the MiniSpace 5067, MiniSpace 5071, MiniSpace 5064, MicroFlex 6061, Compac 800 and Compac 800 BR, models which are compact and therefore easy to store.



Technical Data

- In closed or storage position takes a small usable space.
- Optimum visibility from any position is guaranteed.
- Blocking system include for maximum safety.
- Different Figueras seats can be installed on this system.
- Reaction to fire: this product complies with international standards