

Rhombus Collection

(Rhombus 13037 / Rhombus (Corporate) 13031 / Rhombus RH 13032 - 60)



RHOMBUS 13037

Description

The Rhombus 13037 is a new concept of integral seat with elegant and sober design. With special care in ergonomics and durability, the Rhombus 13037 has been specially designed for venues with constant use such as auditoriums, parliaments, congress centres, corporate and VIP areas of stadiums and arenas.

Seat and backrest are composed of two blocks of moulded polyurethane foam that incorporate an inner metal structure, with flat springs and upholstery fully integrated into the foam by means of our patented Integral Form System.

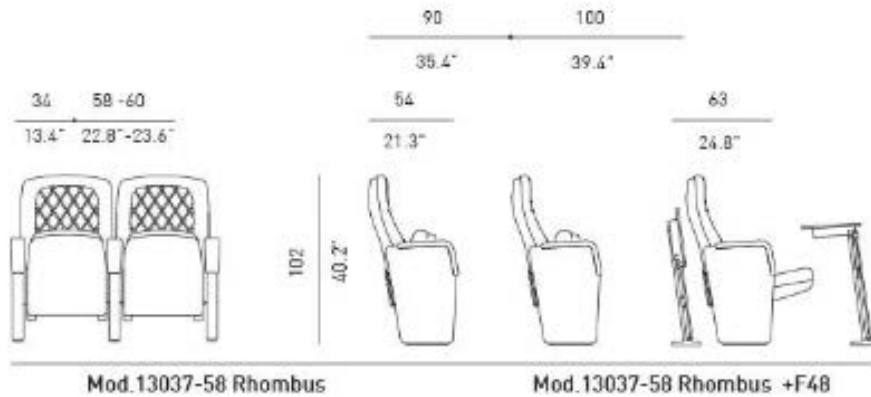
The backrest padding is anatomically contoured, with lumbar support, and incorporates diamond patterns to give added comfort. This backrest is generous sized in order to offer an optimum comfort to the user.

The seat tips up automatically by means of an extremely quiet double-spring system inserted inside the seat shell. It requires no lubrication of any kind.

The seat is mounted on two blow-moulded side panels with a housing system for the ball-and-socket joint, including a locking mechanism into which the seat pin fits. This enables easy seat replacement.

The side panels are fully upholstered and joined to a steel base, through which the seat is attached to the floor with hidden metal expansion bolts.

The seat adapts to the specific slope of the floor at its base. Rows are formed by interconnected seats, ensuring rigid and stable row configuration, reinforcing the anchorage to the floor.



Technical Data

- Backrest and seat shells can be fully upholstered or in Technowood® finishing.
- Optionally, GPL, APL or PLX tablets can be added to the seat, increasing considerably its functionality.
- Armrests can be fully upholstered, in wood finish, polyurethane or optionally, the seat can be designed with no armrests.
- Optionally, the upholstery can be handmade with stitching.
- Reaction to fire: this product complies with international regulations.



RHOMBUS 13031

RHOMBUS CORPORATE

Description

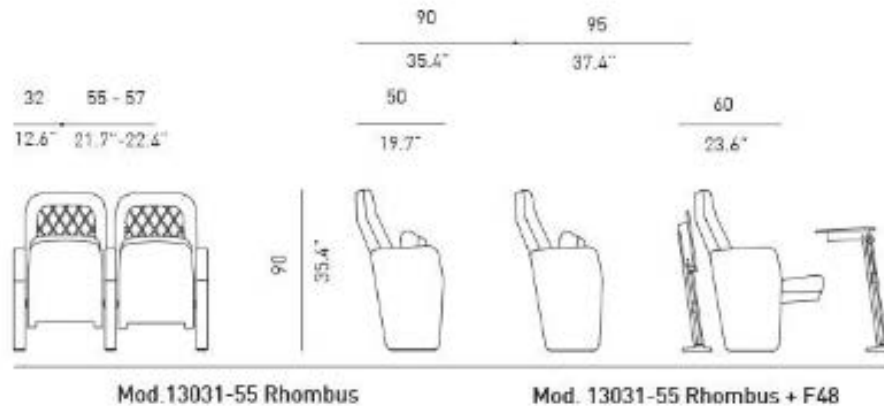
The Rhombus 13031 is a unique seat concept, simple and elegant with special detail in ergonomics and durability. This seat has been specially designed for venues with constant use such as auditoriums, parliaments, congress centres, corporate and VIP areas of stadiums and arenas.

Seat and backrest are composed of two blocks of moulded polyurethane foam that incorporate an inner metal structure, with flat springs and upholstery fully integrated into the foam by means of the Integral Form System.

The backrest padding is anatomically contoured, with lumbar support, and incorporates diamond patterns to give added comfort. The seat and backrest are upholstered and protected with a fully upholstered shell. The seat tips up automatically by means of an extremely quiet double-spring system inserted inside the seat shell. It requires no lubrication of any kind.

The seat is mounted on two blow-moulded side panels with a housing system for the ball-and-socket joint, including a locking mechanism into which the seat pin fits. This enables easy seat replacement.

The side panels are fully upholstered and joined to a steel base, through which the seat is attached to the floor with hidden metal expansion bolts or other suitable type of anchorage for each type of surface. The seat adapts to the specific slope of the floor at its base. Rows are formed by interconnected seats, ensuring rigid and stable row configuration, reinforcing the anchorage to the floor.



Technical Data

- Optionally, APL or PLX tablets can be added to the seat, increasing considerably its functionality.
- Armrests can be fully upholstered, in wood finish, polyurethane or optionally, the seat can be designed with no armrests.
- Optionally, the upholstery can be handmade with stitching.
- Reaction to fire: this product complies with international regulations.



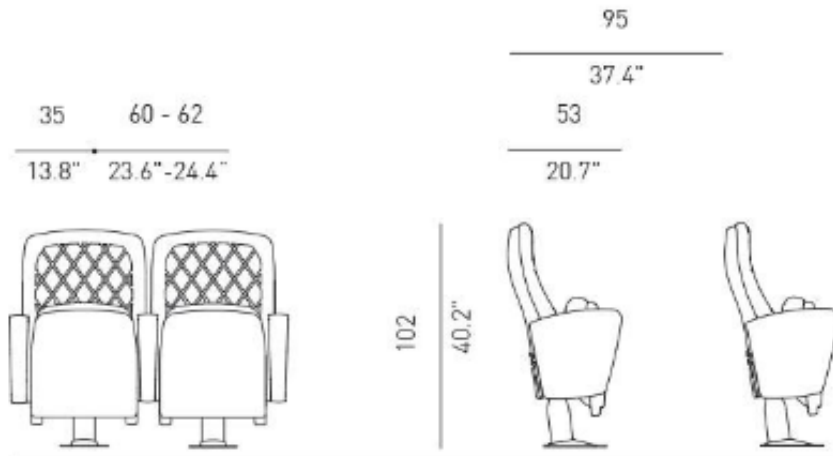
Vent Nouveau MT s.a.l.

SEATS & MOBILE WALLS
Since 1970

Wherever People Travel, Whenever People Meet



RHOMBUS RH MOD. 13032-60



Mod.13032-60 Rhombus

Vent Nouveau s.a.l.

Phone: +961 4 712037 | Mobile: +961 3 291820 | Fax: +961 4 715196

Email: info@ventnouveau.com