

# Sensó Collection

(Sensó 13113 / Sensó RT 2313)



**Sensó 13113**

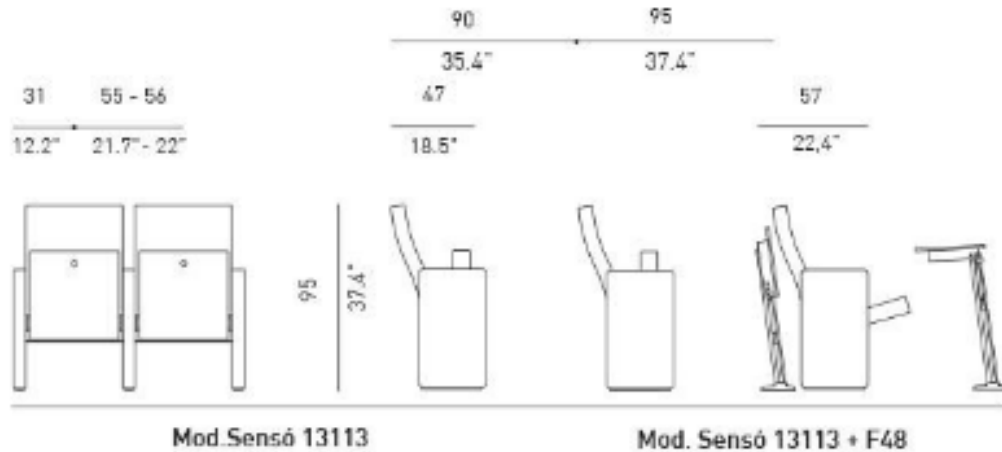
## Description

The Sensó 13113 is an elegant and compact folding seat that offers an excellent optimization of the space due to its reduced dimensions. This seat has been specially designed for auditoriums, parliaments, theatres, conference and corporate rooms.

The seat and backrest consists of a compact monoblock made up of cold moulded polyurethane foam that completely covers a metal structure, both are supported by two side panels joined together by a central steel bridge.

The sides end in a steel plate support base and are fixed to the floor using metric screws or other suitable type of anchorage for each type of surface. The sides can be fully upholstered or in a wood finishing.

The seat automatically tips up thanks to a double lateral Controlled Soft Rise Technology system which is extremely quiet and requires no maintenance. This mechanism is manufactured from polyamide with high mechanical resistance. Once folded, the seat occupies only 47cm.



## Technical Data

- Minimum distance between axes: 55cm.
- Excellent acoustic response.
- Ergonomic and shape-retaining seat.
- Side panels can be upholstered or wood made.
- Optionally, the seat and backrest can incorporate a back wooden board.
- Optionally, a fire barrier can be incorporated between the upholstery and the PUR foam.
- Together with the PLX, F-48 or F-1000 tables, it becomes an optimal solution for long working sessions.
- Fire standards: complies with international regulations.



**Sensó RT 2313**

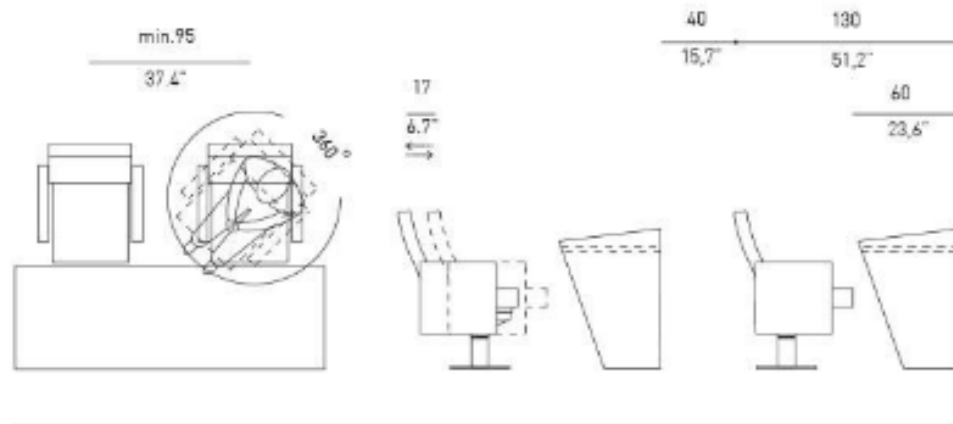
## Description

The Sensó RT 2313 is an elegant and unique concept in seating for parliaments, corporate rooms, conference and congress centres. It combines the comfort and safety of a floor-mounted seat with total freedom of movement that allows the user to swivel 360° and to slide horizontally by 17 cm.

The RT system is the Figueras rotation and movement solution that fits perfectly with spaces that requires mobility in order to interact with others. It automatically returns to its original position, leaving the place clean and tidy without any extra effort.

The innovative RT system consists of an aluminium base fixed to the floor, incorporating a 360° rotation system and 170 mm linear displacement system that maximizes the user comfort when getting up and sitting. The seat and backrest are made of polyurethane foam and have an upholstered cover that can be easily replaced using a zipper system.

The armrest consists of a compact upholstered block that extends to the middle of the seat leg.



Mod. 2313 Senso RT System

## Technical Data

- Centre-to-centre dimension: 95 cm.
- Optionally, decorative beech plywood can be added at the seat and backrest.
- Optionally, sides can be provided with a wood armrest.
- Fire standards: complies with international regulations.