

TOP Collection

(TOP 5036 / TOP 5042 / TOP 5043)



TOP 5036

Description

The TOP 5036 is a modular seat with automatic folding seat, composed of fully interchangeable elements. The seat and backrest are composed of two blocks of moulded polyurethane foam with an internal metal structure. The upholstery can be integrated into the foam using the Integral Form Upholstery System, without seams or stitching.

The backrest and seat padding are anatomically shaped to guarantee comfort. The seat pad is free of grooves of any type in order to prevent the accumulation of dirt.

The seat and backrest have rear polypropylene shells which are fully washable, preventing scratches and dirt appearing on the rear upholstery. Optionally these shells can be upholstered.

The seat folds up automatically by means of an extremely quiet double-spring system inside the seat base, keeping the room always neat and assuring a silent ambient when a user leaves the seat.

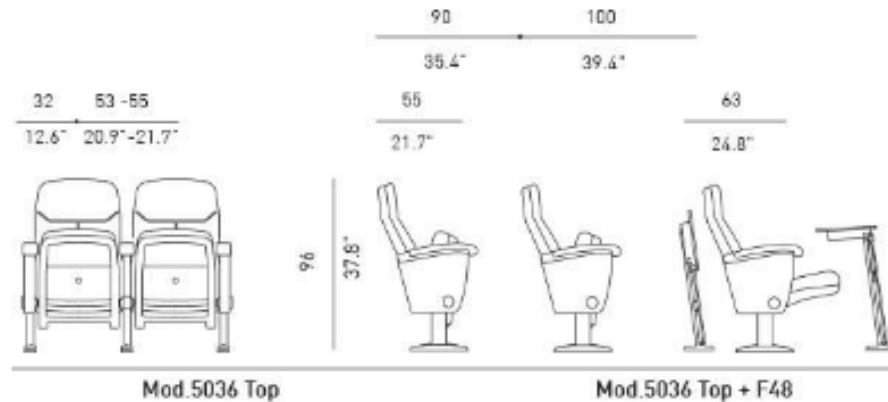
The seat is mounted on a two metallic painted feet and fixed to the floor with a base that can be adapted to different slopes.

The armrests are double injection, combining polypropylene on the rigid parts and a “soft” elastomer on the surface of the armrest. Optionally, a polypropylene writing lectern can be added to the armrest, the PLX tablet with anti-panic folding system.

Vent Nouveau s.a.l.

Phone: +961 4 712037 | Mobile: +961 3 291820 | Fax: +961 4 715196

Email: info@ventnouveau.com



Technical Data

- Minimum distance between axes: 53 cm.
- The seat adapts to the specific slope of the room at the base of the foot.
- Silent tip-up mechanism which requires no lubrication.
- Integral Form System: integrates upholstery and internal frame in a single compact block with no seams.
- The armrests can incorporate a PLX tablet.
- Between the upholstery and the foam, a fire-resistant barrier can be incorporated.
- Fire standards: complies with international regulations.



TOP 5042

Description

The TOP 5042 is a modular seat with automatic folding seat, composed of fully interchangeable elements. This Figueras seat has been specially designed for cinemas as well as the most exclusive zones of stadiums and arenas.

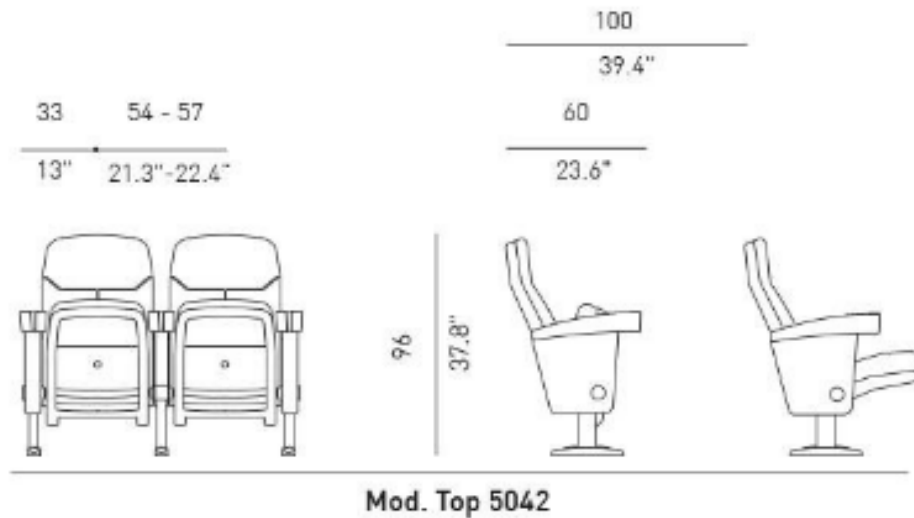
The seat and backrest are composed of two blocks of moulded polyurethane foam with an internal metal structure. The upholstery can be integrated into the foam using the Integral Form Upholstery System, without seams or stitching.

The backrest and seat padding are anatomically shaped to guarantee comfort. The seat is always fixed and its padding is free of grooves of any type in order to prevent the accumulation of dirt.

The seat and backrest have rear polypropylene shells which are fully washable, preventing scratches and dirt appearing on the rear upholstery.

The seat folds up automatically by means of an extremely quiet double-spring system inside the seat base, keeping the room always neat and assuring a silent ambient when a user leaves the seat.

The seat is mounted on a two metallic feet that have an integrated system of housing for the ball-and-socket joint. The armrests are double injection, combining polypropylene on the rigid parts and a “soft” elastomer on the surface of the armrest. In the frontal part there is a built-in cupholder.



Technical Data

- Minimum distance between axes: 58 cm.
- Silent tip-up mechanism which requires no lubrication.
- Integral Form System: integrates upholstery and internal frame in a single compact block with no seams.
- The armrests incorporate a built-in cupholder.
- Between the upholstery and the foam, a fire-resistant barrier can be incorporated.
- Fire standards: complies with international regulations.



TOP 5043

Description

The TOP 5043 is a modular automatic folding seat, composed of fully interchangeable elements. This Figueras seat has been specially designed for cinemas as well as the most exclusive zones of stadiums and arenas.

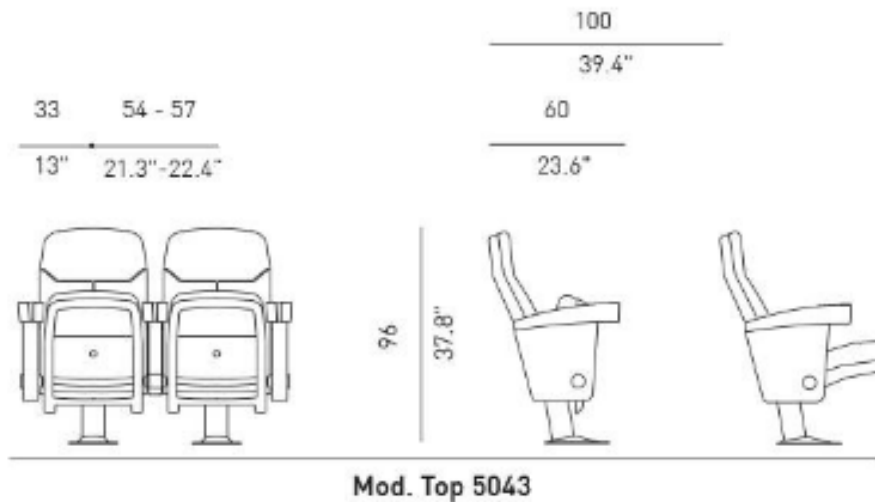
The seat and backrest are composed of two blocks of moulded polyurethane foam with an internal metal structure and upholstery fully integrated into the foam by means of the Integral Form Upholstery System, without seams or stitching.

The backrest and seat padding are anatomically shaped to guarantee comfort. The seat pad is free of grooves of any type in order to prevent the accumulation of dirt. Optionally, the backrest may incorporate a headrest. The seat, backrest and headrest have rear polypropylene shells which are fully washable, preventing scratches and dirt appearing on the rear upholstery.

The seat folds up automatically by means of an extremely quiet double-spring system inside the seat base, keeping the room always neat and assuring a silent ambient when a user leaves the seat.

The seat is mounted on a central pedestal and supported by a rigid bridge which ensures stable rows.

The armrests are double injection, combining polypropylene on the rigid parts and a "soft" elastomer on the surface of the armrest. In the frontal part there is a built-in cupholder. Optionally, pads can be upholstered.



Technical Data

- Minimum distance between axes: 54 cm.
- Silent tip-up mechanism which requires no lubrication.
- Integral Form System: integrates upholstery and internal frame in a single compact block with no seams.
- The armrests incorporate a built-in cupholder.
- Between the upholstery and the foam, a fire-resistant barrier can be incorporated.
- Fire standards: complies with international regulations.