

## Woody RT



**WOODY RT**

### Description

The Woody model is a revolutionary concept in seating. It combines the comfort and safety of a fixed to the floor seat with total freedom of movement that allows to swivel 360° and to slide horizontally.

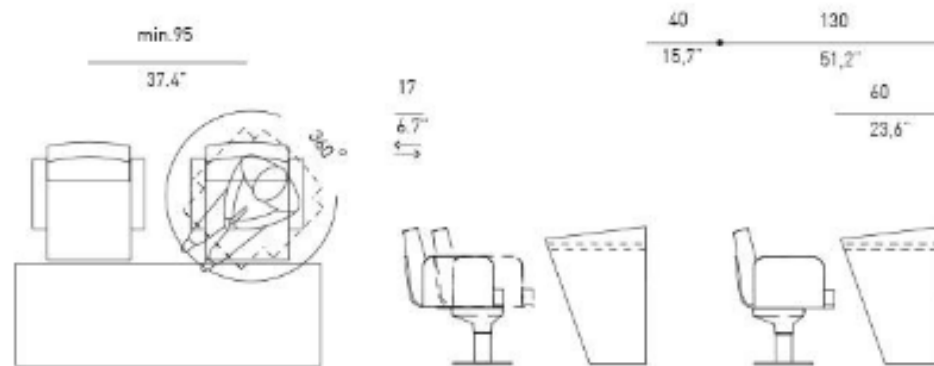
The RT System is the Figueras rotation and movement system becoming the optimum solution for parliaments, meeting rooms, assembly halls or plenary meeting halls. It automatically returns to its position, leaving the venue neat and tidy.

The innovative RT System consists of an aluminum base fixed to the floor, incorporating a 360° rotation system and a 170 mm linear displacement system. Both movements can be made simultaneously.

The seat automatically returns to its initial position once it is vacated. This system allows great freedom of movement and easy user access. In case of evacuation of the room, the seats will not obstruct the corridors, offering a plus of safety.

Woody brings design down to the last detail. The seat and backrest are composed of beech plywood and a cushion of open cell polyurethane foam. These sets are fully upholstered. Side panels serve as armrests and have the same characteristics.

The seat is provided with a structural and decorative 13mm-thick molded plywood shell. The sleek design of this seat combines factory technologies with intricate hand labor and craftsmanship.



Mod. 2312/S Woody RT System RT

## Technical Data

- RT system: 360° rotation and horizontal slide.
- Fixed to the floor.
- Seat returns to its original position when vacated.
- Great comfort and easy user access.
- Seat and backrest made of beech plywood and a cushion of open cell polyurethane foam.
- Fully upholstered.
- Side panel serves as armrests.
- Fire response: this product complies with international regulations.